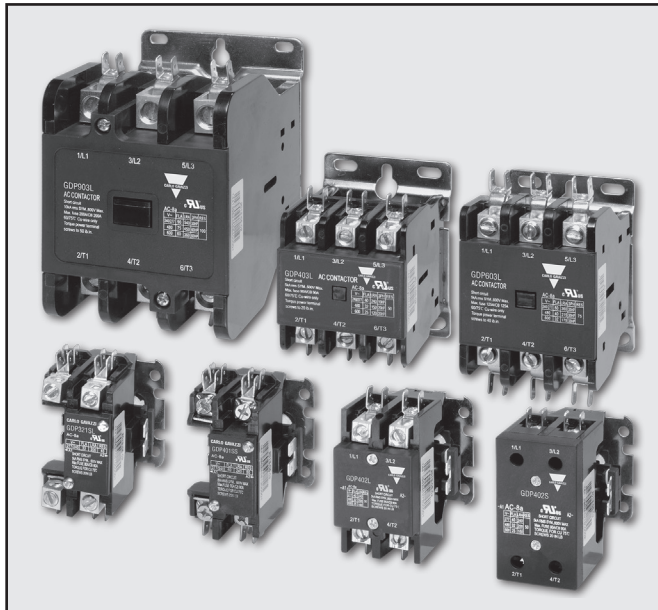


Definite Purpose Contactors 1, 2 and 3 pole Type GDP



- Definite Purpose Contactors
- Switching up to 100A resistive, 90A inductive
- Line Voltage up to 600VAC on most sizes
- Control voltage up to 480VAC
- Screw or box lug terminals available on most sizes
- Fast-on coil and power terminal
- Hp ratings on 3-pole contactors
- UL recognized for US and Canada
- Cost effective

Product Description

Power contactors specifically designed for the OEM when contactor, performance and cost must be optimized. Perfect choice for HVAC, lighting, pumps, compressors, pools, spas,

welders, etc. Available in standard 1, 2 and 3-pole type.

Ordering Key **GDP 40 1 S L 120V 01**

Product Series	_____
Amperage Rating	_____
Number of Poles	_____
Optional Shunt	_____
Load Terminals	_____
Coil Voltage	_____
Auxiliary Output	_____

Type Selection

Product Series	Amperage Rating	Number of Poles	Optional Shunt	Load Terminals
GDP	25: 25 Amps	1: 1 Pole	S: With Shunt	L: Lug*
	32: 32 Amps	2: 2 Poles	Blank: No Shunt	S: Screw**
	40: 40 Amps	3: 3 Poles		
	50: 50 Amps			
	60: 60 Amps			
	75: 75 Amps 90: 90 Amps			

Coil Voltage
24V: 24 VAC
120V: 110/120 VAC
220V: 220 VAC
240V: 240 VAC
277V: 277 VAC
480V: 480 VAC

Auxiliary Output
01: 1 NC***
Blank: none

* Lug and Fast-On load terminals. Fast-on control terminals
 ** Screw and Fast-On load terminals. Fast-on control terminals
 *** Available only on 1 Pole contactors
 See page x for list of available part numbers

Selection Guide

Amperage Rating	Terminal Type	Coil Voltage	1 Pole with 1 Aux	1 Pole with shunt	2 Pole	3-Pole
25 Amps	Screw	24 VAC	GDP251S24V01	GDP251SS24V	GDP252S24V	
		120 VAC	GDP251S120V01	GDP251SS120V	GDP252S120V	
		220 VAC	GDP251S220V01	GDP251SS220V	GDP252S220V	
		277 VAC	GDP251S277V01	GDP251SS277V	GDP252S277V	
		480 VAC	GDP251S480V01	GDP251SS480V	GDP252S480V	
	Lug	24 VAC	GDP251L24V01	GDP251SL24V	GDP252L24V	GDP253L24V
		120 VAC	GDP251L120V01	GDP251SL120V	GDP252L120V	GDP253L120V
		220 VAC	GDP251L220V01	GDP251SL220V	GDP252L220V	GDP253L220V
		277 VAC	GDP251L277V01	GDP251SL277V	GDP252L277V	GDP253L277V
		480 VAC	GDP251L480V01	GDP251SL480V	GDP252L480V	GDP253L480V
32 Amps	Screw	24 VAC	GDP321S24V01	GDP321SS24V	GDP322S24V	
		120 VAC	GDP321S120V01	GDP321SS120V	GDP322S120V	
		220 VAC	GDP321S220V01	GDP321SS220V	GDP322S220V	
		277 VAC	GDP321S277V01	GDP321SS277V	GDP322S277V	
		480 VAC	GDP321S480V01	GDP321SS480V	GDP322S480V	
	Lug	24 VAC	GDP321L24V01	GDP321SL24V	GDP322L24V	GDP323L24V
		120 VAC	GDP321L120V01	GDP321SL120V	GDP322L120V	GDP323L120V
		220 VAC	GDP321L220V01	GDP321SL220V	GDP322L220V	GDP323L220V
		277 VAC	GDP321L277V01	GDP321SL277V	GDP322L277V	GDP323L277V
		480 VAC	GDP321L480V01	GDP321SL480V	GDP322L480V	GDP323L480V
40 Amps	Screw	24 VAC	GDP401S24V01	GDP401SS24V	GDP402S24V	
		120 VAC	GDP401S120V01	GDP401SS120V	GDP402S120V	
		220 VAC	GDP401S220V01	GDP401SS220V	GDP402S220V	
		277 VAC	GDP401S277V01	GDP401SS277V	GDP402S277V	
		480 VAC	GDP401S480V01	GDP401SS480V	GDP402S480V	
	Lug	24 VAC	GDP401L24V01	GDP401SL24V	GDP402L24V	GDP403L24V
		120 VAC	GDP401L120V01	GDP401SL120V	GDP402L120V	GDP403L120V
		220 VAC	GDP401L220V01	GDP401SL220V	GDP402L220V	GDP403L220V
		277 VAC	GDP401L277V01	GDP401SL277V	GDP402L277V	GDP403L277V
		480 VAC	GDP401L480V01	GDP401SL480V	GDP402L480V	GDP403L480V
50 Amps	Lug	24 VAC				GDP503L24V
		120 VAC				GDP503L120V
		220 VAC				GDP503L220V
		277 VAC				GDP503L277V
		480 VAC				GDP503L480V
60 Amps	Lug	24 VAC				GDP603L24V
		120 VAC				GDP603L120V
		220 VAC				GDP603L220V
		277 VAC				GDP603L277V
		480 VAC				GDP603L480V
75 Amps	Lug	24 VAC				GDP753L24V
		120 VAC				GDP753L120V
		220 VAC				GDP753L220V
		277 VAC				GDP753L277V
		480 VAC				GDP753L480V
90 Amps	Lug	24 VAC				GDP903L24V
		120 VAC				GDP903L120V
		220 VAC				GDP903L220V
		277 VAC				GDP903L277V
		480 VAC				GDP903L480V

Part numbers in bold font indicate stock code A items.
 All other part numbers are stock code D.

Technical Specifications

1 Pole					
Model	Voltage	FLA	LRA	Horsepower	Resistive Rating
GDP251	240/277	25	150	-	32
GDP321	240/277	32	200	-	40
GDP401	240/277	40	240	-	50
2 Pole					
GDP252	240/277	25	150	-	32
	480	20	120	-	32
	600	15	90	-	32
GDP322	240/277	32	200	-	40
	480	25	150	-	40
	600	20	120	-	40
GDP402	240/277	40	240	-	50
	480	32	200	-	50
	600	25	160	-	50
3 Pole					
GDP253	240/277	25	150	7.5	32
	480	20	110	10	32
	600	15	90	10	32
GDP323	240/277	32	200	10	40
	480	25	115	15	40
	600	20	95	15	40
GDP403	240/277	40	240	10	50
	480	32	150	20	50
	600	25	120	20	50
GDP503	240/277	50	300	15	60
	480	40	215	30	60
	600	32	175	30	60
GDP603	240/277	60	360	20	75
	480	40	215	30	75
	600	32	175	30	75
GDP753	240/277	75	450	25	90
	480	60	375	50	90
	600	50	300	50	90
GDP903	240/277	90	540	30	100
	480	75	450	60	100
	600	60	360	60	100

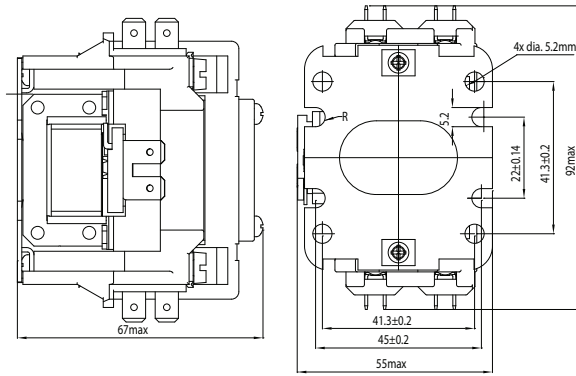
Coil Specifications

1 Pole and 2 Pole Contactors					
Model	In-rush VA	Sealed VA	Operational Voltage	Drop-out Voltage	Frequency
All 1P and 2P	55	13	(85%~110%) Us	(20% ~ 65%) Us	50 / 60 Hz
3 Pole Contactors					
GDP253 ~ GDP403	51	12	(85%~110%) Us	(20% ~ 65%) Us	50 / 60 Hz
GDP503 ~ GDP603	83	14			
GDP753 ~ GDP903	165	30			

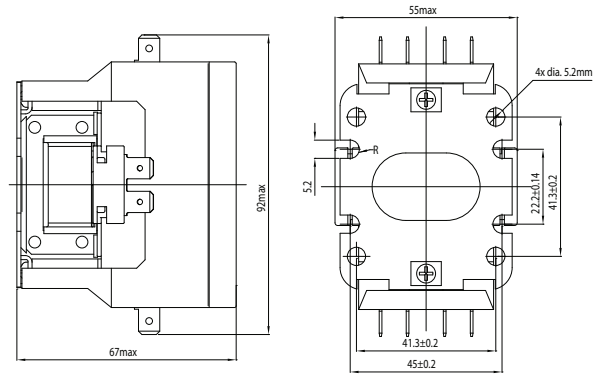
Auxiliary Contact Specifications

For 1 Pole Contactors with 01 suffix			
Ith (A)	Ui (V)	AC (VA)	DC (W)
10	600	300	30

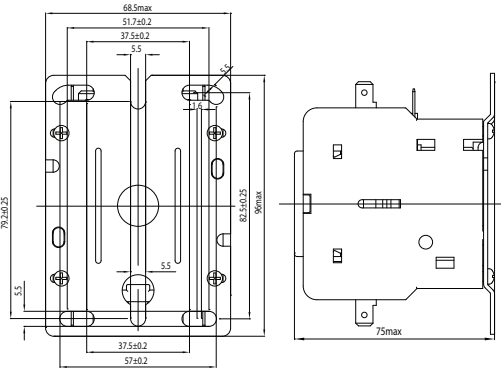
Dimensions:



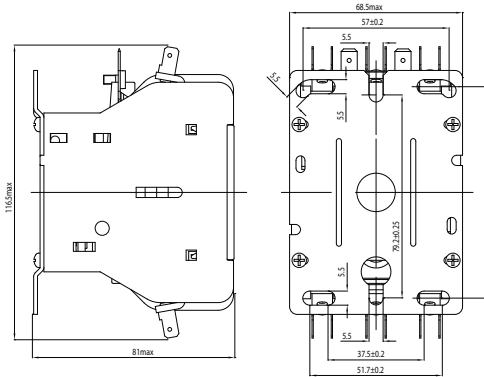
GDPx1 (1 pole + shunt)



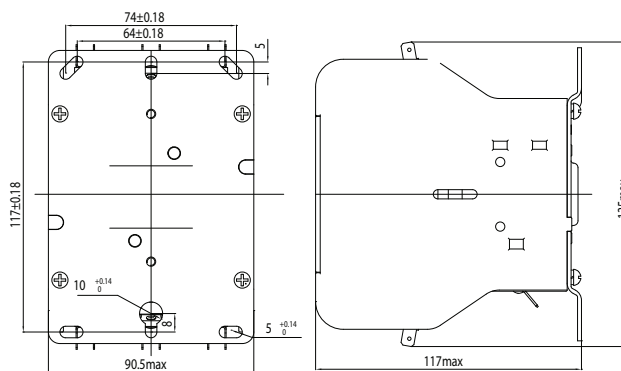
GDPx1S (1 pole + AUX) and GDPx2 (2 pole)



GDP203 ~ GDP403 (3 pole 20~40A)



GDP503 ~ GDP603 (3 pole 50~60A)



GDP753 ~ GDP903 (3 pole 75~90A)

All Dimensions are expressed in millimeters

Specifications are subject to change without notice

Terminal Connections:

Contactor Series	Power Terminals				
	Terminal Type	Screw Type and Size	Max wire size Stranded	AWG [mm ²] Solid	Max torque value lb-in [N-m]
GDP251S	Screw	Phillips, M5	14-12 [2.5~4]	14-10 [2.5~6]	20 [2.2]
GDP251L	Lug	Flat head, M8	14-12 [2.5~4]	14-10 [2.5~6]	
GDP252S, GDP32S, GDP40S	Screw	Phillips, M5	use ring of fork terminals only		
GDP252L, GDP32L, GDP40L	Lug	Flat head, M8	14-10 [2.5~6]	12-8 [4~10]	
GDP503L, GDP603L		Flat head, M10	12 -8 [4~10]	10-6 [6~16]	
GDP753L, GDP903L		Flat head, M12	6-4 [16~25]	4-3 [25~35]	

All power terminals offer additional dual 1/4" fast-on terminals
60/75C copper wire only

Contactor Series	Coil terminals			
	Terminal Type	Screw Type and Size	Max wire size AWG [mm ²]	Max torque value Lb-in [N-m]
GDP251S	Dual 1/4" fast-on	N/A	N/A	N/A
GDP251L				
GDP252S, GDP32S, GDP40S				
GDP252L, GDP32L, GDP40L				
GDP503L, GDP603L	Dual 1/4" fast-on plus screw	Phillips, M4	16 - 14 [1~2.5]	10 [1.2]
GDP753, GDP903L				

Contactor Series	Auxiliary Contacts			
	Terminal Type	Screw Type and Size	Max wire size AWG [mm ²]	Max torque value Lb-in [N-m]
GDP251S	Screw	Phillips, M4	16 - 14 [1~2.5]	10 [1.2]
GDP251L				

Environmental Specification

- Operating Temperature: -5 ~ +40°C (+23 ~ 104°F). Temperature ≤35°C in 24h period.
- Storage Temperature: -25 - +55°C (-13 ~ 131°F)
- Relative Humidity: less than 50% @40°C, non-condensing
- Shock and Vibration: do not subject product to shock and vibration
- Pollution Degree: 2
- Altitude: ≤2000m
- Installation: ≤5° from vertical plane

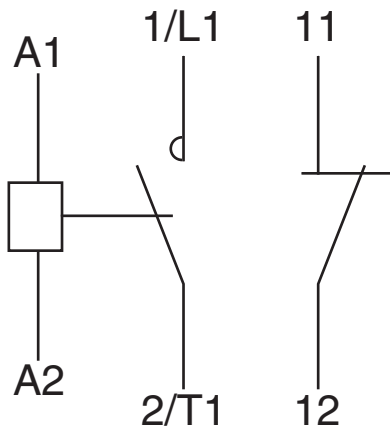
Agency Approvals, Conformance

- Agency approvals: UL file: E236208, UL category: NLDX2, NLDX8
- SCCR rating: 5K rms symmetrical Amperes, 600V max, when protected by UL listed fuse
- Utilization categories: AC-1, AC-8a
- Environmental: RoHS

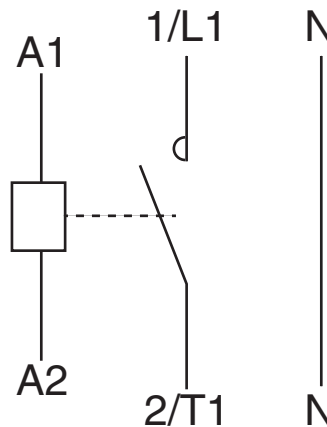


Connection Diagrams

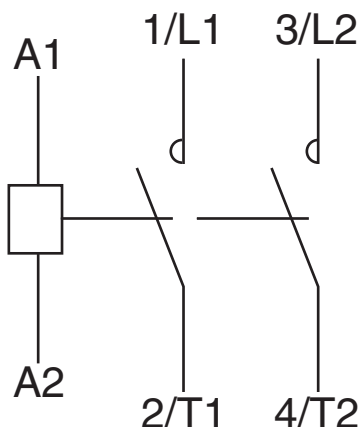
1 Pole with 1 auxiliary contact
GDP251...01, GDP321..01, GDP401..01



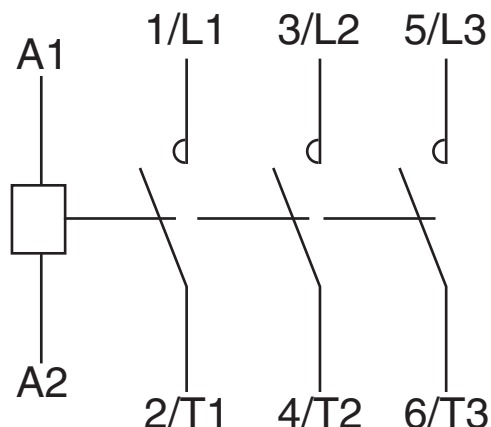
1 Pole with shunt
GDP251, GDP321, GDP401



2 Pole
GDP252, GDP322, GDP402



3 Pole
GDP253, GDP323, GDP403
GDP503, GDP603, GDP753, GDP903



1/L1, 2/T1, 3/L2, 4/T2, 5/L3, 6/T3 are the main power contacts
11, 12 are low current Normally Closed auxiliary contacts

A1, A2 are coil contacts

Specifications are subject to change without notice